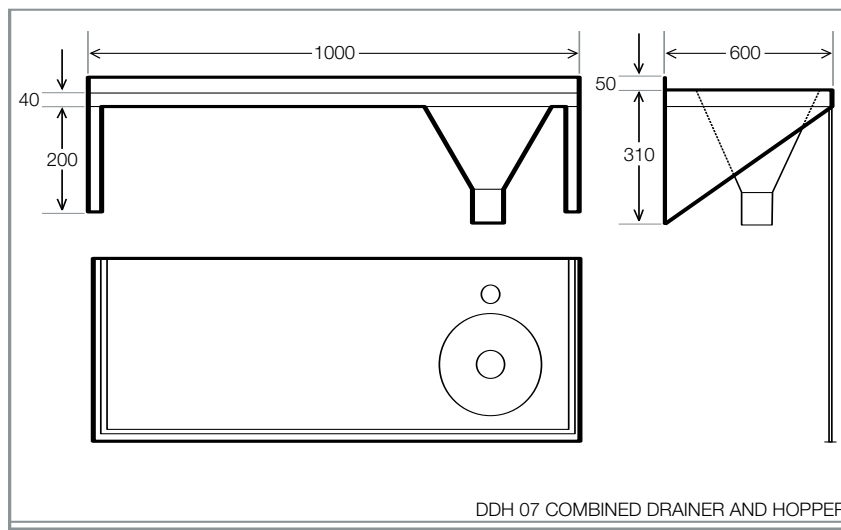


**COMBINED DRAINER & HOPPER**

**SIZE 1000 X 600 COMPLETE WITH FRONT SUPPORT LEGS**



- DIMENSIONS ARE IN MILLIMETERS

**Simply Washrooms**

Unit 1, Greengate  
Middleton Junction  
Manchester  
M24 1RU

**T:** 0161 643 8484

**F:** 0161 643 8488

**www.simplywashrooms.co.uk**

**Email:** [sales@simplywashrooms.co.uk](mailto:sales@simplywashrooms.co.uk)

Simply Stainless are continually updating and improving our products and therefore reserve the right to make changes to the products described without notice.